

# LONGMARCH SEAT



Metal Art Limited  
Street & Park Furniture

## DESCRIPTION

An economically priced casual park seat that meets the needs of councils and other organisations requiring simple and practical open space furniture.

## SLAT DIMENSIONS

Back: 140 mm x 40 mm x 1750 mm  
Seat: 90 mm x 40 mm x 1750 mm

## SLAT MATERIAL

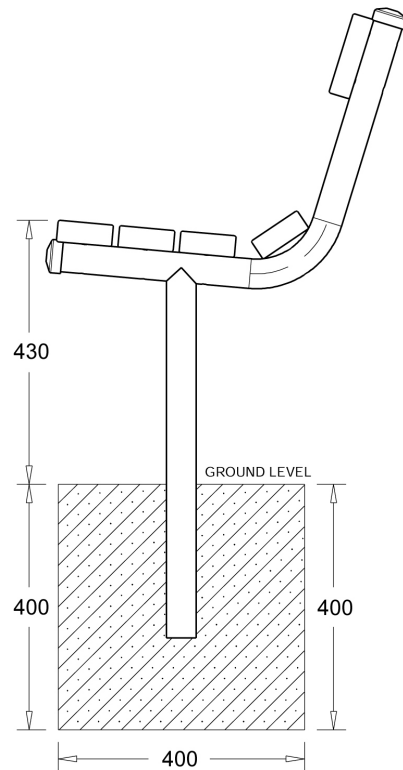
Vitex timber: available with an uncoated natural or stained finish.

## FRAME

50 mm galvanised steel pipe

## MOUNTING

In-ground or surface mounted



Metal Art Ltd

51 Port Road, Seaview  
Wellington, New Zealand  
Ph +64 4 939-6666  
Fax +64 4 9396696  
info@metalart.co.nz  
www.metalart.co.nz